

TOUR WINDSCREEN KIT



APPLICATION

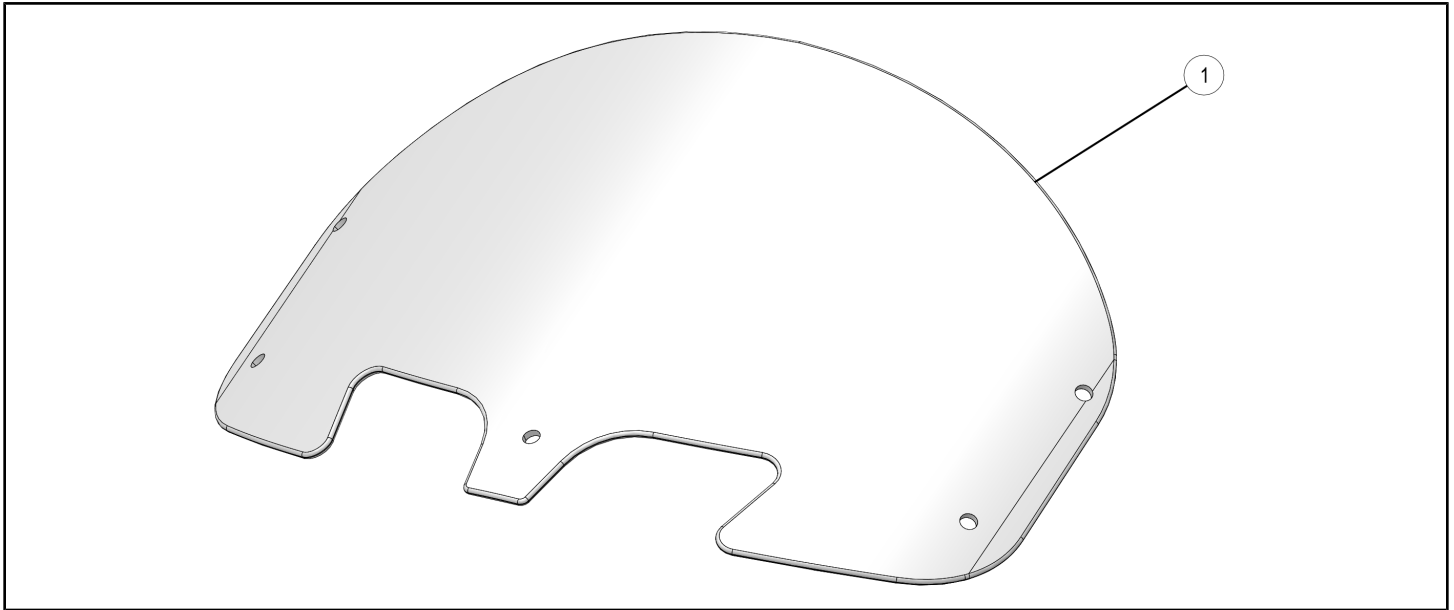
All Indian Tour Motorcycles With Hard Upper Fairings

BEFORE YOU BEGIN

Read these instructions and check to be sure all parts and tools are accounted for. Please retain these installation instructions for future reference and parts ordering information.

KIT CONTENTS

This Kit includes:



REF	QTY	PART DESCRIPTION	PART NUMBER
1	1	Tour Windscreen	-
	1	Instructions	9924320

TOOLS REQUIRED

- 4 mm Hex Key Socket
- Torque Wrench

IMPORTANT

Your Indian TOUR WINDSCREEN KIT is exclusively designed for your vehicle. Please read the installation instructions thoroughly before beginning. Installation is easier if the vehicle is clean and free of debris. For your safety, and to ensure a satisfactory installation, perform all installation steps correctly in the sequence shown.

ASSEMBLY TIME

Approximately 15 minutes

INSTALLATION INSTRUCTIONS

NOTE

Protect all finished surfaces during removal and installation processes.

REMOVAL

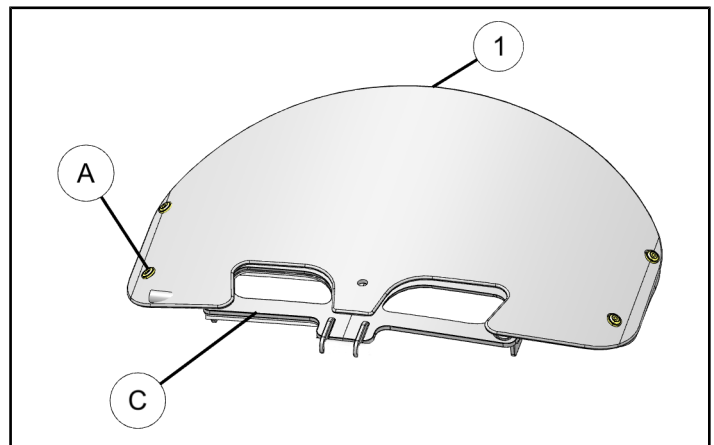
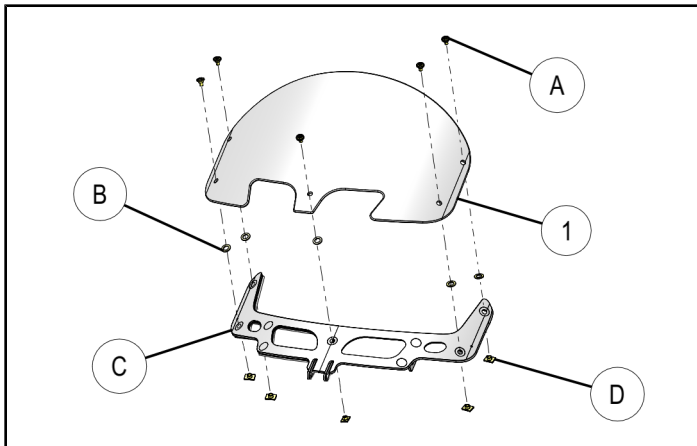
1. With power windscreen extended in the upward most position, remove five M6 bolts and five T-nuts and retain for re-assembly. T-nuts are located on the back side of the windscreen mount. The five rubber washers between the windscreen and windscreen mount do not need to be removed.

INSTALLATION

1. Place new windscreen ① over windscreen mount (C) ensuring five washers (B) are in place.
2. Re-install the retained five rear T-nuts (D) and finger tighten five M6 bolts (A) ensuring that the shoulder of the bolts has engaged the windscreen ①. Torque M6 bolts to below specification.

TORQUE

36 +/- 6 in. lbs. (4.67 +/- 0.6 Nm)



CAUTION

Do not use glass cleaner, water or soil repellents, petroleum or alcohol based cleaners as the product can damage the Lexan (plastic) material on the windscreen.

IMPORTANT

Take care not to scratch the Lexan plastic during installation.