

SOLO SADDLEBAG KIT



P/N 2882518

BEFORE YOU BEGIN

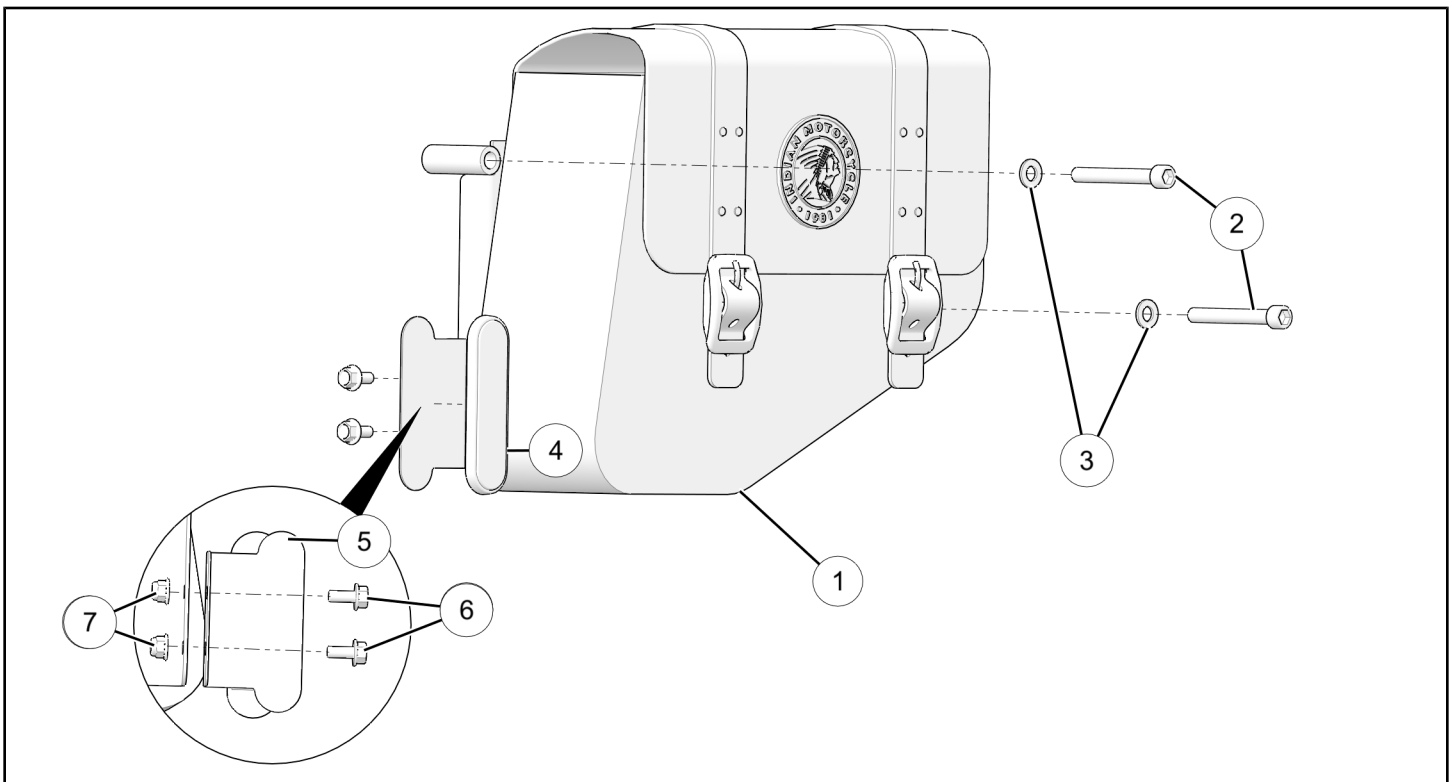
Read these instructions and check to be sure all parts and tools are accounted for. Please retain these installation instructions for future reference and parts ordering information.

APPLICATION

Verify accessory fitment at Polaris.com

KIT CONTENTS

This Kit includes:



REF	QTY	PART DESCRIPTION	P/N AVAILABLE SEPARATELY	AVAILABLE SERVICE KIT
1	1	Saddlebag Assembly	-	
2	2	Screw, Socket Head, M8 X 1.23 X 65 mm	-	2207548
3	3	Washer, 8.4 X 16 X 1.6 mm	-	2207548
4	1	Reflector, Red, Oval	-	2207548
5	1	Bracket, Reflector	-	2207548
6	2	Screw, Hex Flange, M6 X 1 X 14 mm	-	2207548
7	2	Nut, Hex Flange, M6 X 1 mm	-	2207548

TOOLS REQUIRED

- Socket Set, Metric

- Torque Wrench

IMPORTANT

Your Indian Motorcycle® Solo Saddlebag Kit is exclusively designed for your vehicle. Please read the installation instructions thoroughly before beginning. Installation is easier if the vehicle is clean and free of debris. For your safety, and to ensure a satisfactory installation, perform all installation steps correctly in the sequence shown.

INSTALLATION INSTRUCTIONS

1. Ensure motorcycle is parked on flat surface, kickstand is fully extended, and vehicle is stable prior to installation.

Turn key or ignition switch to OFF position and remove key.

SOLO SADDLEBAG INSTALLATION

IMPORTANT

Motorcycle visibility requirements vary from location to location. Please review the requirements in your area prior to installing the supplied reflector on your saddlebag.

1. Assemble reflector bracket.
 - a. Adhere reflector ⑤ to reflector bracket ⑥.

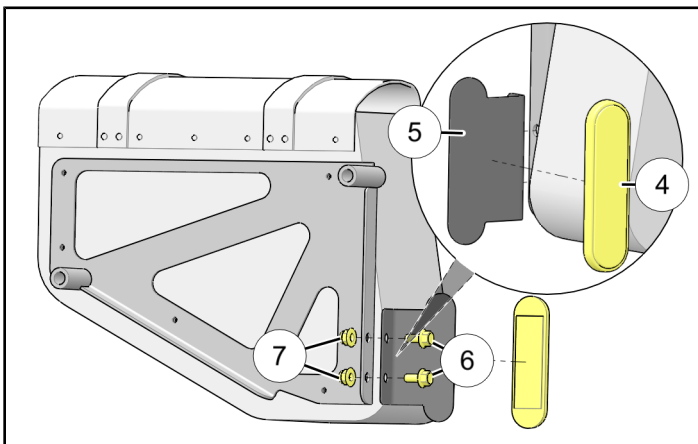
TIP

Allow 24 hours for adhesive to cure before exposing reflector ④ to water.

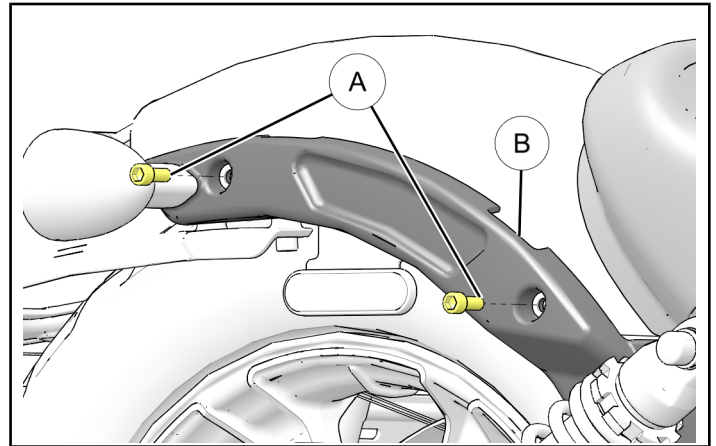
- b. Install reflector bracket ⑤ onto saddlebag bracket using two screws ⑥ and two nuts ⑦. Torque two screws ⑥ to specification.

TORQUE

Screw, Hex Flange, M6 X 1 X 14 mm ⑥:
84 in-lbs (9.5 N·m)



2. Remove and discard two screws ① from rear frame ②.



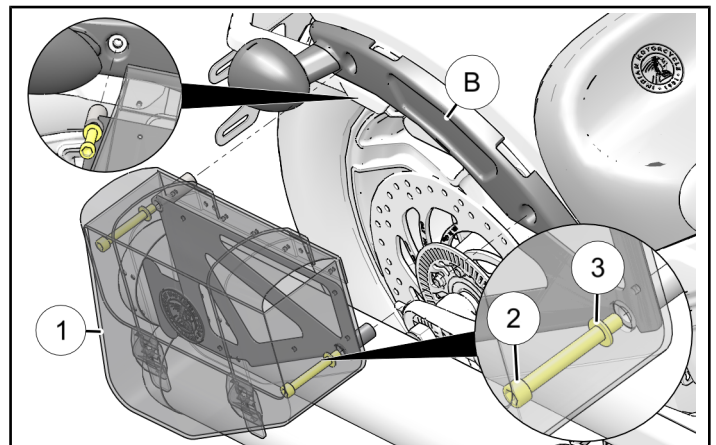
3. Mount solo saddlebag ① with two screws ② and two washers ③ to rear frame ②. One screw mounts from inside bag while other mounts outside of bag. Torque two screws ② to specification below.

TIP

Use pen or similar as placeholder for one screw while installing other to keep rear frame in place.

TORQUE

Screw, Socket Head, M8 X 1.23 X 65 mm ②:
18 ft-lbs (24 N·m)



FEEDBACK FORM

A feedback form has been created for the installer to provide any comments, questions or concerns about the installation instructions. The form is viewable on mobile devices by scanning the QR code or by clicking [HERE](#) if viewing on a PC.

